

## "the voice behind vehicle safety"

O.W.L Design and manufacture a wide range of products for vehicle safety, security and information applications.

Products are supplied to vehicle manufacturers, body builders and fleet operators.

Current electronic technology and top quality real human speech brings a new dimension to every vehicle application.

Real human speech is the most effective form of communication available.

- immediately identify the nature of a potential danger.
- give verbal instructions on an appropriate course of action.
- no thinking time means an instant response.
- people generally follow instructions without question.
- different messages for driver and pedestrian from a single unit.
- male or female voice in any language, or multiples e.g. English/Welsh.
- individual messages specific to individual applications.
- personalised messages for individual customers.

Products are available for every type of vehicle application.

- reversing alarm
- handbrake warning system
- tailgate operation
- moving platform/deck
- refuse collection vehicle lifting and compacting operations
- psv passenger messages
- attack alarms on cash-in-transit vehicles, mobile libraries etc
- lorry loader or crane operation
- freezer body safety warnings
- bridge-bashing prevention alarm
- pedestrian alerts for street cleansing vehicles
- tipper body raised
- stabiliser jacks lowered
- intruder or theft alarm messages
- anti-hijack sounders
- airport baggage handling equipment

O.W.L can take your vehicle application from initial concept through design, development and prototype, to manufacture regardless of quantities required.

O.W.L. Vehicle Electronic Systems Ltd  
O.W.L. House PO Box 1330 TAMWORTH B77 1AW  
tel 0845 643 0212 email [info@safervehicles.co.uk](mailto:info@safervehicles.co.uk)



School Minibuses

Social Services Ambulances

Taxi & Private Hire Minibuses

Wheelchair Access Minibuses

Personnel Carriers & Crew Buses

Talking Safety Sounders  
can help prevent accidents  
and save lives.

O.W.L. Vehicle Electronic Systems Ltd  
"the voice behind vehicle safety"

When you operate a mobile library there are three groups of people to consider.

The driver and library staff, visitors and pedestrians.

Each has different safety and security needs.



Pedestrians walk in front of and behind moving vehicles, totally oblivious of the potential danger.

This can happen more with mobile libraries because their very application puts them in close proximity to people in residential areas where children may be playing.

Mobile libraries are large vehicles and are difficult to manoeuvre, the driver can control the vehicle but cannot control the pedestrian.

### Forwards or backwards, BigMouth® Talking Sounders solve the problem.

The commanding real human voice message tells the pedestrian

*“Attention...this vehicle is reversing”*

*“Stand clear...vehicle moving”.*

The voice is directional and can be clearly heard where it really matters - in front of (or behind) the approaching vehicle. This means that there is no confusion and the pedestrian responds immediately.

It also means that the warning is effective without being intrusive and avoids complaints of noise pollution.

As a reversing alarm it operates automatically when reverse gear is selected. As a forward-motion alarm the driver can push a button to sound the warning before he drives away from the roadside.

### And if the Driver is under threat there's help at the press of a button.

*“Help, help, driver under attack...please call the police”*

The exact wording of messages may be specified to suit individual vehicles.

**You choose the best solution for your vehicle!**

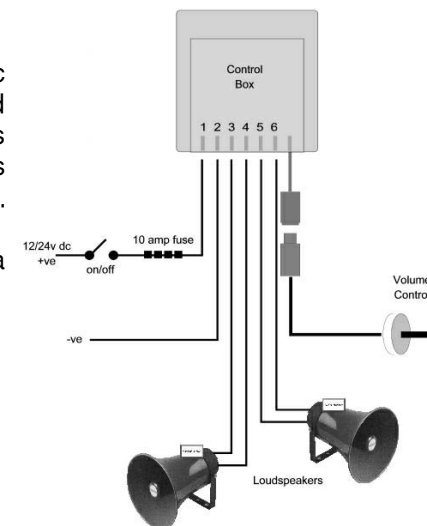
## Chimes and musical Jingles

You need to let members of the public know that your mobile library has arrived in their neighbourhood. You can do this by having your own musical chimes jingle that visitors will come to recognise.

Choose your favourite jingle and add a talking message such as:

*“Your mobile library has arrived”*

Simply push a button to sound the jingle and message once only or switch on to sound continuously until you switch it off again.



**You choose the jingle, you choose the message.**

## Wheelchair Access Lifts



Some mobile libraries now have wheelchair access lifts. A warning system may be fitted to sound automatically whilst the lift is being operated.

*“Please stand clear...chair lift operating”*



This leaflet illustrates just some of the applications for mobile libraries.

If you would like more information on any individual application, or have a more specific requirement please contact O.W.L.

## BigMouth® Talking Safety Alarms

- 12/24volts
- reverse polarity & over-voltage protected
- auto-reset internal overload fuse
- weatherproof abs plastic enclosures
- vibration proof encapsulated electronics
- automatic night-silent facility (selectable)
- 90dBA - variable to customer specification
- choice of tones and messages
- multiple message versions available