

Talking Reversing Alarms

Pedestrians ignore reversing beepers



Pedestrians often ignore reversing beepers and broadband sounders

because they don't know what the warning sound means.

“ATTENTION...THIS VEHICLE IS REVERSING”

cannot mean anything else.

The message is understood immediately and cannot be ignored.

The voice is directional and identifies where the danger is i.e. - at the rear of the reversing vehicle!

BigMouth® Talking Reversing Alarms overcome the problem.

The commanding real human voice message immediately tells the pedestrian that *“this vehicle is reversing”*.

The voice is directional and can be heard clearly where it matters - at the rear of the reversing vehicle. This means that there is no confusion and the pedestrian responds immediately.

Unlike beepers, the sound from talking reversing alarms does not carry for long distances, so it also means that the warning is effective without being intrusive and complaints about noise from residents near to vehicle operation sites are minimal.

Night Silent Facility

All models have a selectable automatic night silent facility (when the sidelights are on) which means that they can easily comply with legislation.

The BigMouth® Senior can also be supplied with alternative over-ride facilities built in.

A double-engage over-ride allows the reversing alarm to be temporarily disabled by engaging reverse gear, then neutral, then reverse gear again in quick succession.

A push button over-ride timer allows the reversing alarm to be temporarily disabled during daytime manoeuvring say, in hospital grounds. Similarly the alarm which would normally be silent at night, may be set to operate whilst manoeuvring say, in a motorway service area. In both cases normal operation is restored automatically after a short period.

Bilingual and bespoke messages

Talking reversing alarms may be supplied with bespoke warning messages to include the name of the vehicle operator, e.g. “Cleanaway Vehicle Reversing” or to further identify the particular vehicle e.g. “Road Sweeper Reversing”.

Bilingual, English-Welsh alarms are also available in all versions.

BigMouth® Talking Reversing Alarms:

- are manufactured in the UK, independently tested and carry the “ce” or “e” mark as appropriate.
- operate on 12/24volts.
- are fully encapsulated for weatherproofing and carry a minimum of two years warranty (lifetime available).

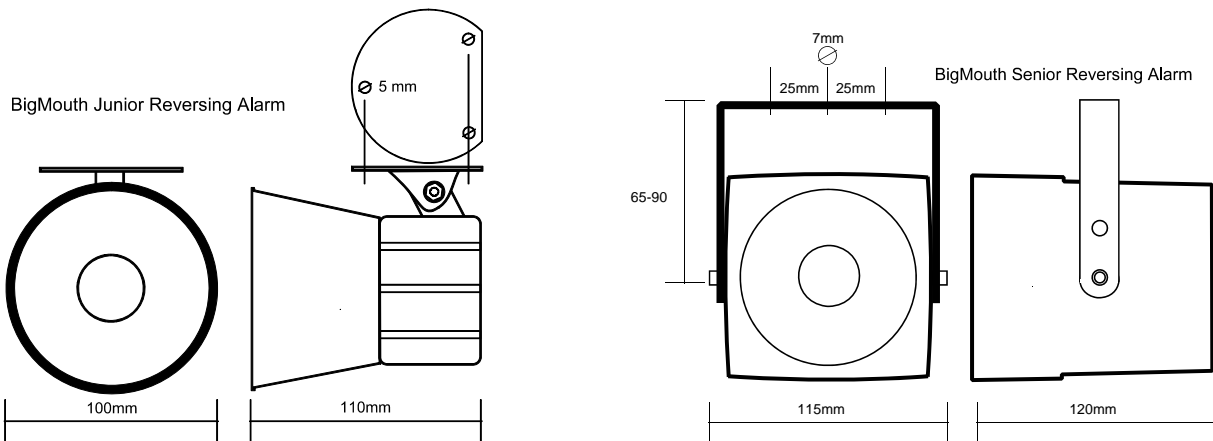
O.W.L. Vehicle Electronic Systems Ltd O.W.L. House PO Box 1330 TAMWORTH B77 1AW
Tel 0845 643 0212 email info@safervehicles.co.uk - www.safervehicles.co.uk
“the voice behind vehicle safety”



Talking Reversing Alarms

BigMouth® Talking Reversing Alarms - specification summary

- 12/24volt operation
- reverse polarity & over-voltage protected
- auto-reset internal overload fuse
- weatherproof abs plastic enclosures
- vibration proof encapsulated electronics
- automatic night-silent facility
- 90dBA - variable to customer specification
- choice of tones and message



NIGHT-SILENT OPTIONS

Automatic - all models have a third wire for optional connection to the sidelight circuit. This automatically disables the reversing alarm when the vehicle's sidelights are on.

Double-engage - this option allows the reversing alarm to be temporarily disabled by engaging reverse, then neutral, then reverse again in quick succession. The reversing alarm is automatically restored to normal operation the next time reverse gear is selected.

Over-ride timer - with this option fitted the reversing alarm normally functions with the automatic night-silent facility as above, i.e. it sounds whilst the vehicle's lights are off and is disabled when the lights are on. A single press of the dash-mounted push button reverses the over-ride function so that the alarm sounds when the lights are on and is disabled when the lights are off. A built-in timer allows multiple gear changes to take place without affecting the status of the reversing alarm for about 4 minutes, allowing even complex manoeuvres to be completed.

Warning Messages

The standard alarm has a short tone followed by the message "Attention...this vehicle is reversing". Alternative messages are available at no additional cost upon request.

Real human speech is the most effective form of communication. It immediately identifies the nature of a potential danger and gives clear instructions on an appropriate course of action. No thinking time means an instant response. People generally follow verbal instructions without question so it is ideal for communicating with driver, passengers or pedestrians.

A small selection of additional applications

- reversing alarm
- tailgate operation
- moving platform/deck
- refuse collection vehicle lifting and compacting
- psv passenger messages
- attack alarms for cash-in-transit, mobile libraries etc
- lorry loader or crane operation
- freezer body safety warnings
- pedestrian alerts for street cleansing vehicles
- handbrake warning
- tipper body raised
- stabiliser jacks lowered
- intruder or theft alarm messages
- anti-hijack sounders

Talking Reversing Alarms - Specifications

- * All standard models are available in English/Welsh at no extra cost.
Also available with vehicle-specific message e.g. "road sweeper reversing" or your own personalised message.

BMJ-100 Series* (BigMouth Junior)

Operation	Message sounds continuously when reverse gear is engaged. If third wire is connected alarm will not sound when vehicle lights are on.
Standard Message *	"Attention...this vehicle is reversing".
Voltage 12/24 volts	Dimensions 100 x 110 mm
Other Features	"e" mark. Automatic night-silent when lights on. May be used with over-ride timer OR-100 or Double-engage over-ride unit OR-200 to give day and night over-ride facility with lights on or off.



BMS-100 Series* (BigMouth Senior)

Specification as for BigMouth Junior (BMJ-100) above except:

Dimensions 115 x 120 mm



BMS-400 & 500 Series* (BigMouth Senior) with integral Over-ride Timer

Specification as for BigMouth Senior (BMS-100) above except:

If the vehicle lights are off	a single depression of the over-ride button will silence the alarm for a period of about 4 minutes. This allows reversing manoeuvres to be completed in noise-sensitive locations such as hospital grounds.
If the vehicle lights are on	a single depression of the over-ride button will allow the alarm to sound during the following 4 minutes. This enables safe reversing during adverse weather conditions and busy pedestrian areas during darkness.

BMS-450 & 550 Series* (BigMouth Senior) with integral Double-engage Over-ride

Specification as for BigMouth Senior (BMS-100) overleaf except:

If reverse gear is engaged, then disengaged and engaged again within a period of 3 seconds the reversing alarm is silenced. The alarm resets automatically when neutral is next selected. Particularly suitable for vehicles with automatic gears.



OR-100 Over-ride Timer - may be used with any standard Junior or Senior Alarm

Also suitable for retro-fit to reversing alarms without existing over-ride facility

If the vehicle lights are off a single depression of the over-ride button will silence the alarm for a period of about 4 minutes. This allows reversing manoeuvres to be completed in noise-sensitive locations such as hospital grounds.

If the vehicle lights are on a single depression of the over-ride button will allow the alarm to sound during the following 4 minutes. This enables safe reversing during adverse weather conditions and busy pedestrian areas during darkness.

OR-200 Double-engage Over-ride Unit - may be used with any standard Alarm

Also suitable for retro-fit to reversing alarms without existing over-ride facility

If reverse gear is engaged, then disengaged and engaged again within a period of 3 seconds the reversing alarm is silenced. The alarm resets automatically when neutral is next selected. Particularly suitable for vehicles with automatic gears.