

Road Sweepers and Gully Emptiers

Precinct Sweepers

Pedestrian Operated Vacuum Sweepers



No matter how large or small, most sweepers operate in close proximity to pedestrians.

Sweepers also frequently have to manoeuvre forwards and backwards in order to do the job effectively.

Sweeper drivers concentrate to avoid parked vehicles, street signs, and other obstacles.

These items don't move - but pedestrians do!

Talking Safety Sounders can help prevent accidents and save pedestrians' lives.

Pedestrians walk in front of and behind moving vehicles, totally oblivious of the potential danger.

The problem is exaggerated with sweepers because the relatively low speed can be deceptive. The sound of the sweeping equipment can make it difficult to determine the vehicle's distance or how fast it is approaching.

It's even more difficult during pathway or precinct cleansing because pedestrians believe that there is no danger so long as they are not walking on the road.

Even when fitted with warning horns or beepers the danger is often ignored. It is difficult to identify the source and direction of these types of sounder. Pedestrians often also respond aggressively to the sound of a vehicle horn.

BigMouth® Talking Safety Sounders overcome the problem.

The commanding real human voice message tells the pedestrian *"stand clear...sweeper approaching"*.

The voice is directional and can be clearly heard where it really matters - in front of (or behind) the approaching vehicle. This means that there is no confusion and the pedestrian responds immediately.

It also means that the warning is effective without being intrusive and avoids complaints of noise pollution.

Simple Operation - bespoke warning messages

For forward movement warning, the message sounds once on a simple push button. For reversing the message sounds automatically.

Reversing alarms also have either an automatic or selectable night-silent facility.

The precise wording of the warning message may be specified to suit individual vehicle types, or customer applications.

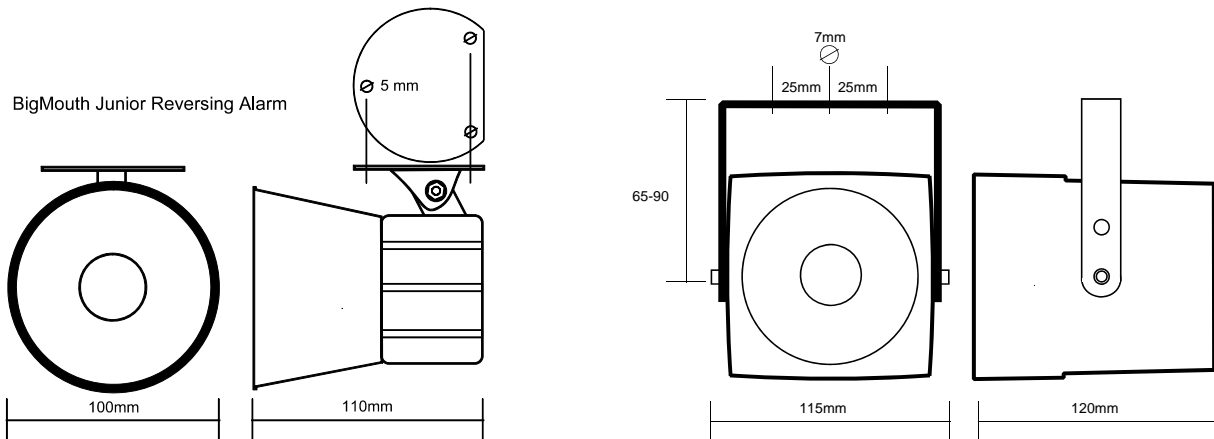
BigMouth® Talking Warning Sounders

- are manufactured in the UK, independently tested and carry the "ce" or "e" mark as appropriate.
- operate on 12/24volts.
- are fully encapsulated for weatherproofing and carry a minimum two year warranty.



BigMouth® Talking Warning Sounders - specification summary

- 12/24volt operation
- reverse polarity & over-voltage protected
- auto-reset internal overload fuse
- weatherproof abs plastic enclosures
- vibration proof encapsulated electronics
- automatic night-silent facility
- 90dBA - variable to customer specification
- choice of tones and message



BigMouth® Junior

This is typically fitted to precinct sweepers and pedestrian operated appliances. Smaller bulkhead-mounted marine

speakers are available with the electronics in a separate enclosure where space may be at a premium.

BigMouth® Senior

This is typically fitted to full size road sweepers. The

NIGHT-SILENT OPTIONS FOR REVERSING ALARMS

Automatic - all models have a third wire for optional connection to the sidelight circuit. This automatically disables the reversing alarm when the vehicle's sidelights are on.

Double-engage - this option allows the reversing alarm to be temporarily disabled by engaging reverse, then neutral, then reverse again in quick succession. The reversing alarm is automatically restored to normal operation the next time reverse gear is selected.

Over-ride timer - with this option fitted the reversing alarm normally functions with the automatic night-silent facility as above, i.e. it sounds whilst the vehicle's lights are off and is disabled when the lights are on. A single press of the dash-mounted push button reverses the over-ride function so that the alarm sounds when the lights are on and is disabled when the lights are off. A built-in timer allows multiple gear changes to take place without affecting the status of the reversing alarm for about 4 minutes, allowing even complex manoeuvres to be completed.

Real human speech is the most effective form of communication. It immediately identifies the nature of a potential danger and gives clear instructions on an appropriate course of action. No thinking time means an instant response. People generally follow verbal instructions without question so it is ideal for communicating with driver, passengers or pedestrians.

A small selection of additional applications

- reversing alarm
- tailgate operation
- moving platform/deck
- refuse collection vehicle lifting and compacting
- psv passenger messages
- attack alarms for cash-in-transit, mobile libraries etc
- lorry loader or crane operation
- freezer body safety warnings
- pedestrian alerts for street cleansing vehicles
- handbrake warning
- tipper body raised
- stabiliser jacks lowered
- intruder or theft alarm messages
- anti-hijack sounders